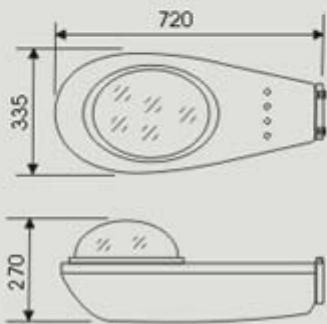
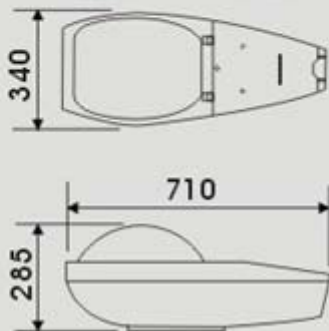


NEMDD-62



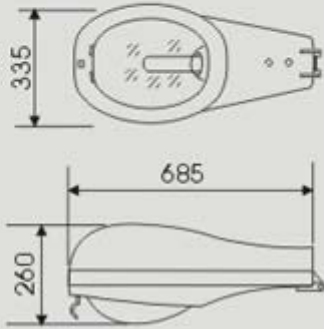
[Highway lamp NEMDD-62](#)

NEMDD-04A



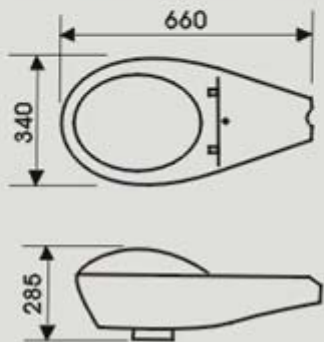
[Highway Lights NEMDD-04A](#)

NEMDD-61



[Highway Lighting NEMDD-61](#)

NEMDD-04B



[Highway Light NEMDD-04B](#)

[Street lights](#), [street lighting suppliers](#), [street light bulbs](#), [antique street lamps](#), [antique street lights](#), [street light fixture](#), [street light post](#), [led street light](#), [new street lighting](#), [street lighting](#), [street lamp](#), [City street lights](#), [city street lighting](#), [city street lights](#), [Commercial street lights](#), [Street Lighting Design](#), [commercial street lighting](#), [Road lights](#), [road lamp](#), [road street lamp](#), [road safety light](#), [road traffic lights](#), [road bike light](#), [2 light road](#), [Sidewalk lights](#), [green street stop lights](#), [sidewalk lighting](#), [solar sidewalk light](#), [Solar street lights](#), [solar street lamps](#), [solar street lighting](#), [Highway lights](#), [Outdoor lighting](#), [Light poles](#), [pole light](#), [street light poles](#), [outdoor light poles](#), [pole lights](#), [electrical pole](#), [outdoor lamp post](#), [cast iron lamp poles](#), [Cast Iron Lamp Posts](#), [city street lamp poles](#), [city street lamp posts](#), [Commercial street lamp poles](#), [Conical poles](#), [conical poles](#), [Decorative poles](#), [decorative flag pole](#), [decorative street light pole](#), [decorative pole lights](#), [Garden lamp poles](#), [garden lamp poles](#), [High mast](#), [high mast pole](#), [high mast light](#), [high mast lighting](#), [for high mast](#), [Middle poles](#), [poles in the middle](#), [pole in middle](#), [middle school pole](#), [Octagonal poles](#), [Sidewalk lamp poles](#), [Solar street lamp poles](#), [Stainless steel poles](#), [Steel tube](#), [Street lamp](#)

[poles](#),[Street light poles](#),[Street lighting poles](#),[road light poles](#),[Galvanized poles](#),[Painted poles](#),[Pole accessory](#),[Garden lights](#),[malibu garden lights](#) , [low voltage garden lights](#) , [indoor garden lights](#) , [garden lights uk](#) , [12 volt garden lights](#) , [Classical garden lights](#),[garden rock lights](#) , [Garden fairy lights](#),[solar power garden lights](#) , [Garden path lights](#),[garden spot light](#) , [Garden wall lights](#),[garden wall lighting](#) , [Outdoor garden lights](#),[outdoor garden lamps](#) , [Solar garden lights](#),[solar powered garden lighting](#) , [Garden Decorative lights](#),[Floodlights](#),[Flood lights](#) , [outdoor flood lights](#) , [solar flood lights](#) , [fluorescent flood lights](#) , [spot flood lights](#) , [halogen flood lights](#) , [fluorescent flood light](#) , [Bulkhead floodlights](#),[Floodlighting Fittings](#) , [Military Lamps](#) , [Flood lamps](#),[Searchlight Lamps](#) , [Reflector Lamps](#) , [Mini floodlights](#),[Small Space Floodlights](#) , [Portable floodlights](#),[Outdoor Lamps](#) , [Quartz halogen floodlights](#),[Military Lamps](#) , [Head Lamps](#) , [400W flood lamps](#),[1000W flood lamps](#),[2000W flood lamps](#),

Ningbo Nai' erming Lamps Co., Ltd.

Add: Xiaodong Industrial Zone, LanJiang Street , Yuyao City , Zhejiang Province China

Contact: shelly chai SALES MANAGER

Tel: 0574-62598616 13456109164

Fax: 574-62598616

E-mail: sales@outdoorlightingn.com

WebSite: <http://www.outdoorlightingn.com>
